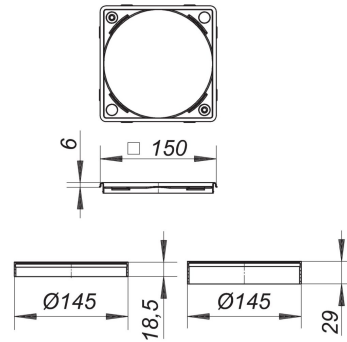


21. November 2019

Frame S 15/150, 304 stainless steel, 150 x 150 mm

Product No. **503077**
 EAN: 4001636503077
 Discount group: 5



for CeraDrain S 15 and TistoDrain S 15
 spigot ABS, 1 x 16 mm, 1 x 42,5 mm

frame 304 stainless steel, 150 x 150 mm, used with grates 140 x 140 mm

Product No.	Description	Dimensions
563002	Collar CeraDrain S 15	
563200	Collar TistoDrain S 15	
501110	grate E 140, 140 x 140 mm	140 x 140 mm