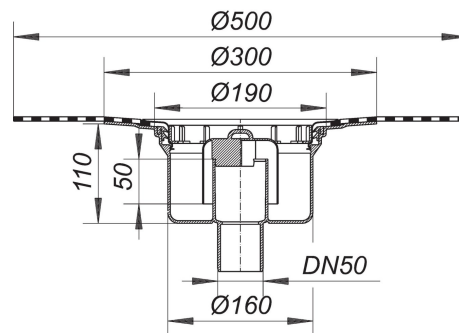


21. November 2019

DALLMER

Floor drain body type 61 HT DallBit, DN 50

Product No. **612021**
 EAN: 4001636612021
 Discount group: 3



conforming to DIN EN 1253

With d: 500 mm collar of 5.0 mm thick bituminous membrane, welded to the flange and secured with stainless steel clamp ring.
 outlet vertical spigot, for connection to plastic pipework

specification:

- removable trap insert, 50 mm water seal
- temporary blanking plate

material:

polypropylene

The outlet connector can be supplied in ABS to suit British Standard sizes and PE-HD conforming to DIN EN 1519. Please enquire.

For sizes up to DN 70, fire protection system 1 may be used (Part No. 515018), DN 100 with fire protection system 2 (Part No. 515025).

DN 70 connects to BS4514 75 mm pipework with 880345 adaptor

Flow rate tested to DIN EN 1253
 (with 20 mm water over grate)

	Norm	DALLMER
DN 50	0.8 l/s	1.78 l/s

21. November 2019

DALLMER

Product No.	Description	Dimensions
590077	bell trap for drain body 61	

Product No.	Description	Dimensions
590022	back flow seal S 15	
563002	Collar CeraDrain S 15	
563200	Collar TistoDrain S 15	
591005	extension S 15	
591012	extension S 15, side inlet DN 40	
515018	fire and sound-insulating collar - installation kit 1, DN 50/DN 70	DN 50/DN 70
500519	frame E 15, 100 x 100 mm	100 x 100 mm
500564	frame ECS 15, 100 x 100 mm	100 x 100 mm
500700	frame GES 15, 200 x 200 mm	200 x 200 mm
500670	frame K 15, 150 x 150 mm	150 x 150 mm
500571	frame PVC 15, 150 x 150 mm	150 x 150 mm
500625	frame S 15, 304 stainless steel, 150 x 150 mm	150 x 150 mm
500618	frame S 15, 316 stainless steel, 150 x 150 mm	150 x 150 mm
500601	frame S 15/120	d: 120 mm
500755	frame VER 15, 304 stainless steel, d: 155 mm	d: 155 mm
500663	frame VS 15, 150 x 150 mm	150 x 150 mm
500182	grating DES 15, cover plate stainless steel, 150 x 150 mm	150 x 150 mm
500014	grating E 15, 100 x 100 mm	100 x 100 mm
500052	grating EC 15, 100 x 100 mm	100 x 100 mm
500076	grating ECN 15, secured grate, 100 x 100 mm	100 x 100 mm
500069	grating ECS 15, massive grate, secured, 100 x 100 mm	100 x 100 mm
500083	grating EN 15, secured grate, 100 x 100 mm	100 x 100 mm
500205	grating GES 15, massiv grate, secured, 200 x 200 mm	200 x 200 mm
500175	grating K 15, polyamide grate, 150 x 150 mm	150 x 150 mm
500113	grating KE 15, 150 x 150 mm	150 x 150 mm
500229	grating KEN 15, secured grate, 150 x 150 mm	150 x 150 mm
500137	grating PVC-E 15, 150 x 150 mm	150 x 150 mm
500236	grating PVC-EN 15, secured grate, 150 x 150 mm	150 x 150 mm
500335	grating PVC-ES 15, massive grate, secured, 150 x 150 mm	150 x 150 mm
500410	grating Quadra S 15, 150 x 150 mm	
500434	grating RHS 15, 1.5 mm grate, non-slip, secured, 150 x 150 mm	150 x 150 mm
500144	grating RHS 15, massive grate, non-slip, secured, 150 x 150 mm	150 x 150 mm
500298	grating SEC 15, 150 x 150 mm	150 x 150 mm
500281	grating SEN 15, secured grate, 150 x 150 mm	150 x 150 mm
500120	grating SES 15, massive grate, secured, 150 x 150 mm	150 x 150 mm
500151	grating VEC 15, laterally adjustable, 150 x 150 mm	150 x 150 mm
500243	grating VEN 15, laterally adjustable, secured, 150 x 150 mm	150 x 150 mm
500250	grating VER 15, d: 155 mm	d: 155 mm
500168	grating VES 15, laterally adjustable, secured, 150 x 150 mm	150 x 150 mm
562005	raising piece type 550 DallBit S 15	
560001	raising piece type 550 with sealing kit S 15	
560018	raising piece type 550 without sealing kit S 15	